

EtherCAT



## ECAT-2611

EtherCAT Slave to Modbus RTU Slave Gateway

### Features

- Powerful MCU handles efficient network traffic
- 2 x RJ-45 EtherCAT Connectors
- Allows system integrators to retro-fit older automation devices into modern EtherCAT communication structures
- Requires no hardware or software changes to be made to the connected device
- Compatible with all PLCs with EtherCAT support
- Performs complete serial protocol conversion, no PLC function blocks required
- Supports maximum 256 WORD Input and 256 WORD Output Data
- Supports Serial Port interface
  - Supports Modbus RTU (Slave) Protocol
  - Supports RS-232/422/485 Port
  - Supports Maximum Baud Rate 115200 bps
  - Supports Modbus Function Code 03/04/06/16



### Introduction

The ECAT-2611 is a proven and trusted protocol converter gateway module that allows you to seamlessly inter-connect devices between EtherCAT and Modbus RTU networks. The ECAT-2611 acts as a Slave on both networks, allowing I/O data to be transferred between the two networks.

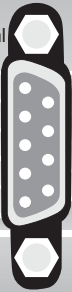
The ECAT-2611 provides a data exchange buffer that allows two different systems (EtherCAT Master and the Modbus RTU Master) exchange data easily and faster for more diverse applications.

### Hardware Specifications

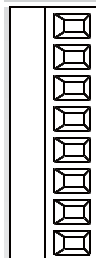
Network Interface		
Protocol	EtherCAT	
RJ-45 Port	RJ-45 x 1 Distance between Stations: Max. 100 m (100BASE-TX) Data Transfer Medium: Ethernet/EtherCAT Cable (Min. CAT 5e)	
Communication Interface		
Protocol	Modbus RTU (Slave)	
Serial Interface	RS-232	The RS-232, RS-422 and RS-485 cannot be used simultaneously ▶ TxD, RxD, GND ▶ TxD+, TxD-, RxD+, RxD- ▶ Data+, Data-
	RS-422	
	RS-485	
Power		
Input Voltage Range	+12 ~ +48 Vdc	
Power Consumption	0.1 A @ 24 Vdc	
Protection	Power reverse polarity protection	
Connector	3-Pin Removable Terminal Block (5.08 mm)	
Mechanical		
Dimensions (W x L x H)	33 mm x 127 mm x 99 mm	
Installation	DIN-Rail Mounting	
Environment		
Operating Temperature	-25 ~ +75°C	
Storage Temperature	-30 ~ +80°C	
Relative Humidity	10 ~ 90% RH, Non-condensing	

## Pin Assignments


COM1 (Console Port)				
Pin Assignment	Terminal	No.	Pin Assignment	
--	01		06	--
RxD	02		07	--
TxD	03		08	--
--	04		09	--
GND	05			



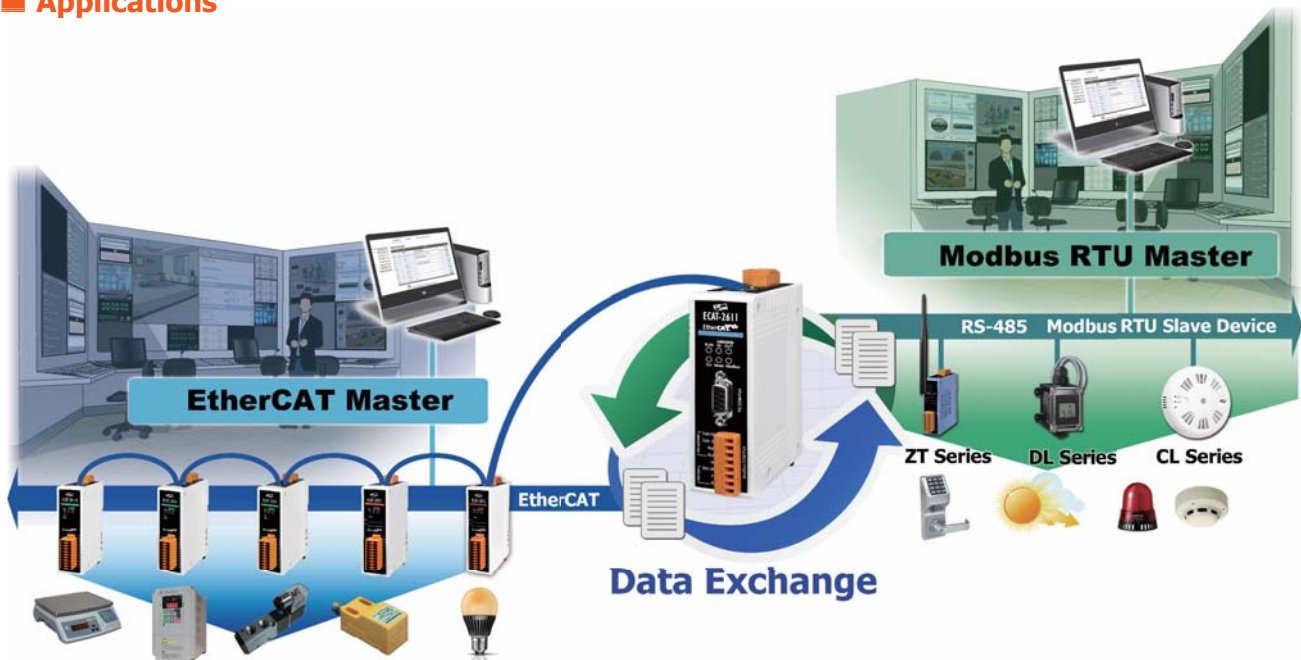
COM2/COM3 (Modbus RTU)		
Terminal No.		Pin Assignment
COM2		TxD+/D+
		TxD-/D-
		RxD+
		RxD-
COM3		N/A
		ISO.GND
		TxD
		RxD



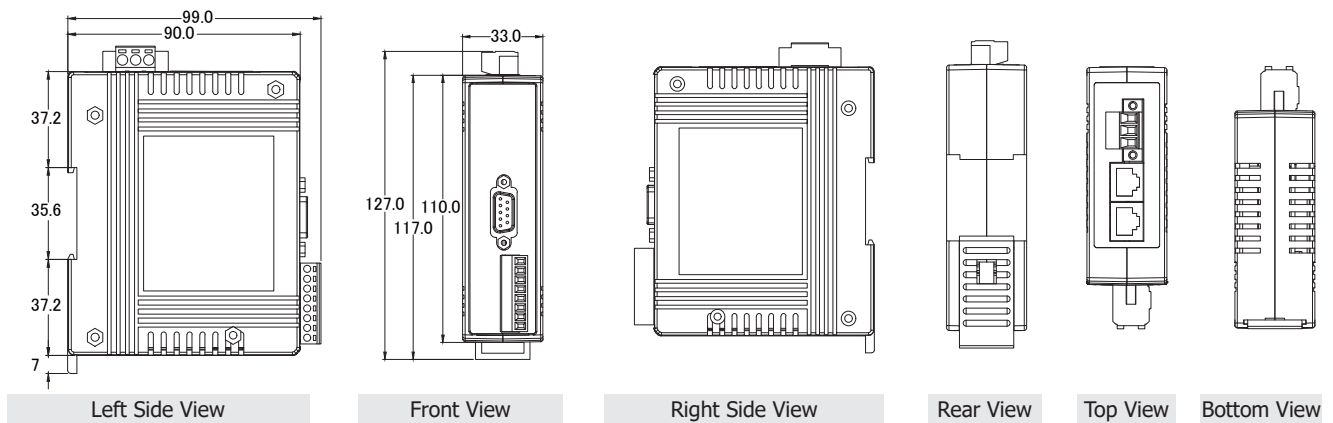
EtherCAT Interface	
Terminal No.	Pin Assignment
	F.G.
	GND(-)
	PWR(+)
	IN
	OUT



## Applications



## Dimensions (Units: mm)



## Ordering Information

<b>ECAT-2611 CR</b>	EtherCAT Slave to Modbus RTU Slave Gateway (RoHS)
---------------------	---